

AC ELECTRIC SCREWDRIVER DIRECT PLUG IN

Low To Medium Torque Semi Auto Shut-off

■ Torque Range 0.05~4.41 N.m

Feature

- Wide torque range.
- Economical solution for general assembly.
- External torque adjustment.
- High endurance and good performance model.
- Externally replaceable brushes for easy maintenance.
- Suitable for small jobs products.
- Torque Accuracy: $\pm 5\%$



Lever Start Type

110V
ES-207L1
ES-215L1

220V
ES-207L2
ES-215L2

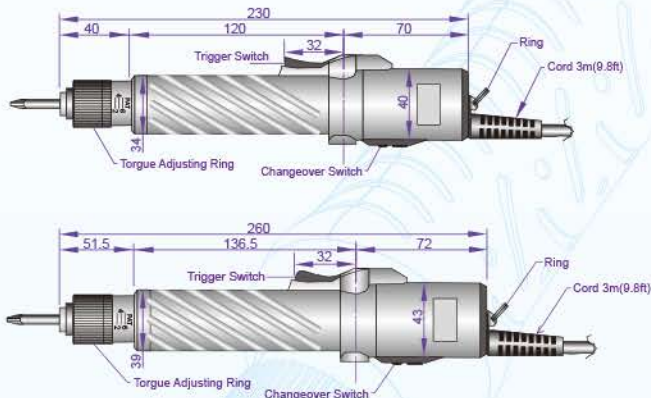


Lever Start Type

110V
ES-618LH1 High Speed
ES-625L1
ES-635L1
ES-645L1

220V
ES-618LH2 High Speed
ES-625L2
ES-635L2
ES-645L2

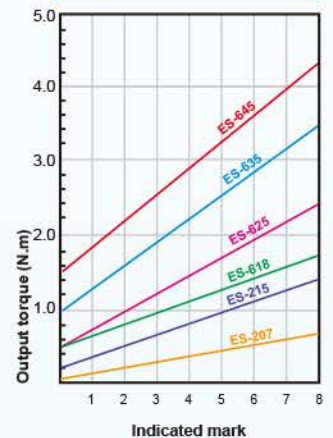
External Dimension unit: mm



Lever Start Type
ES-207L1 ~ ES-215L2

Lever Start Type
ES-618LH1 ~ ES-645L2

Torque Curve



Specifications :

Model No.	Torque Range $\pm 5\%$			Uploaded Speed $\pm 10\%$ (r.p.m.)	Available Screw				Net Weight		Overall Length		Power Source	Bit Type
	kgf-cm	lbf-in	N.m		Machine Screw (ϕ) mm in	Tapping Screw (ϕ) mm in	g	lb	mm	in				
ES-207L1	0.5~7	0.43~6.08	0.05~0.69	1200	1.6~3.0	0.06~0.12	1.4~2.0	0.06~0.08	480	1.06	230	9.06	AC110~120V 50/60Hz	A HEX 5mm
ES-215L1	2.0~15	1.74~13.02	0.19~1.47	1200	2.0~4.0	0.08~0.16	2.0~3.0	0.08~0.12	480	1.06	230	9.06		
ES-207L2	0.5~7	0.43~6.08	0.05~0.69	1000	1.6~3.0	0.06~0.12	1.4~2.0	0.06~0.08	480	1.06	230	9.06	AC220~240V 50/60Hz	C 24mm D 25mm
ES-215L2	2.0~15	1.74~13.02	0.19~1.47	1000	2.0~4.0	0.08~0.16	2.0~3.0	0.08~0.12	480	1.06	230	9.06		
ES-618LH1	5~18	4.34~15.62	0.5~1.76	2000	2.0~4.0	0.08~0.16	2.0~3.5	0.08~0.14	600	1.32	260	10.24	AC110~120V 50/60Hz	A HEX 5mm
ES-625L1	5~25	4.34~21.7	0.49~2.45	1000	2.6~5.0	0.10~0.20	2.6~4.0	0.10~0.16	600	1.32	260	10.24		
ES-635L1	10~35	8.68~30.38	0.98~3.43	830	2.6~5.0	0.10~0.20	2.6~4.0	0.10~0.16	600	1.32	260	10.24	AC220~240V 50/60Hz	B HEX 6.35mm
ES-645L1	15~45	13.02~39.06	1.47~4.41	550	3.0~6.0	0.12~0.24	3.0~5.0	0.12~0.20	600	1.32	260	10.24		
ES-618LH2	5~18	4.34~15.62	0.5~1.76	2000	2.0~4.0	0.08~0.16	2.0~3.5	0.08~0.14	600	1.32	260	10.24	AC220~240V 50/60Hz	B HEX 6.35mm
ES-625L2	5~25	4.34~21.7	0.49~2.45	1000	2.6~5.0	0.10~0.20	2.6~4.0	0.10~0.16	600	1.32	260	10.24		
ES-635L2	10~35	8.68~30.38	0.98~3.43	700	2.6~5.0	0.10~0.20	2.6~4.0	0.10~0.16	600	1.32	260	10.24		
ES-645L2	15~45	13.02~39.06	1.47~4.41	500	3.0~6.0	0.12~0.24	3.0~5.0	0.12~0.20	600	1.32	260	10.24		

Screwdrivers come standard with bit type B HEX 6.35mm
Meet RoHS standard, Without ETL/CE certificate.