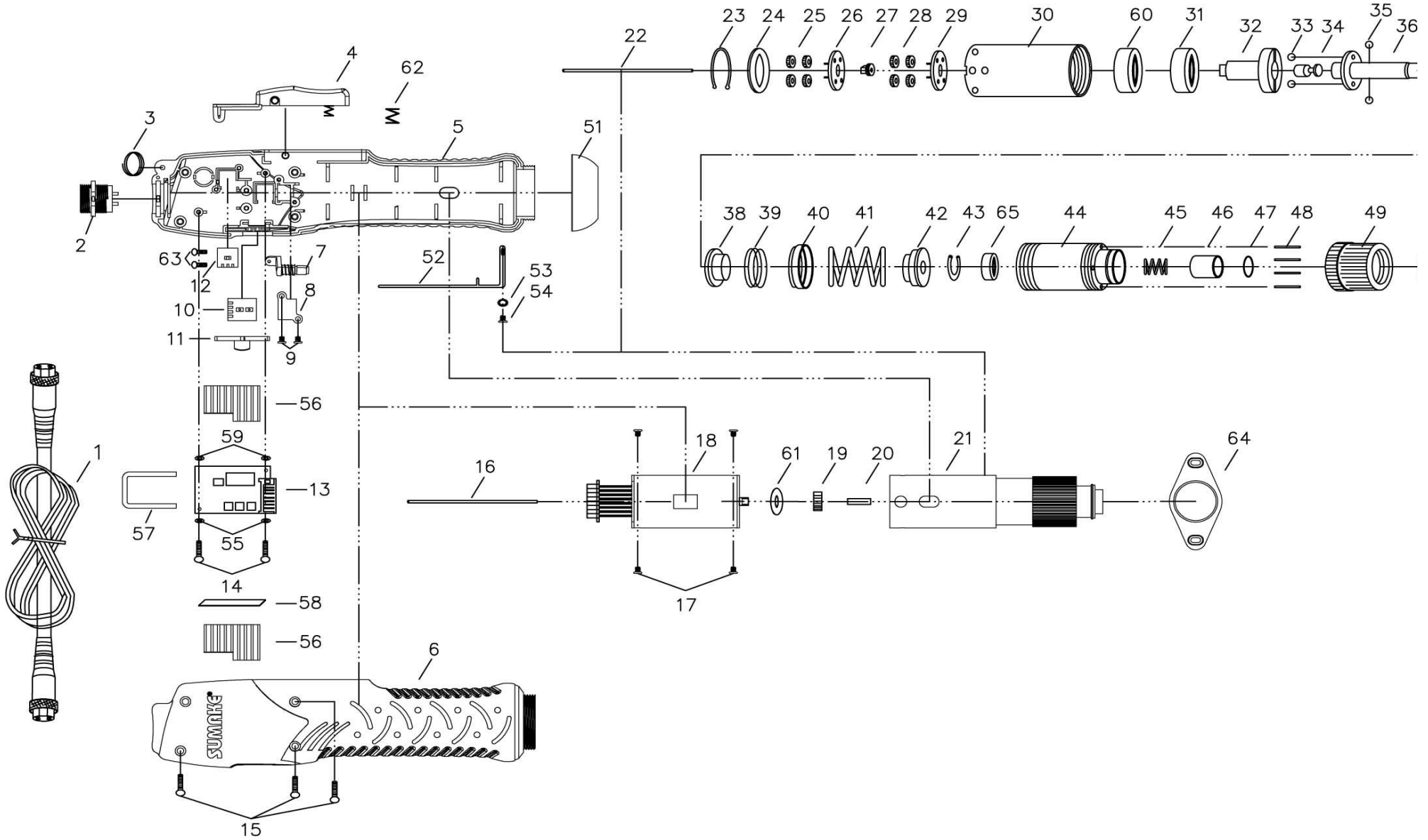


**EA-BN412(419)L/C6 BRUSHLESS FULL AUTO SHUT-OFF DC32V, LEVER START ELECTRIC SCREWDRIVER**  
**EA-BN412(419)L/C6F BRUSHLESS FULL AUTO SHUT-OFF DC32V, LEVER START, ELECTRIC SCREWDRIVER, W/ FLAN**



# EA-BN412(419)L/C6 BRUSHLESS FULL AUTO SHUT-OFF DC32V, LEVER START ELECTRIC SCREWDRIVER

# EA-BN412(419)L/C6F BRUSHLESS FULL AUTO SHUT-OFF DC32V, LEVER START, ELECTRIC SCREWDRIVER, W/ FLANGE

## PARTS LIST

No.	Parts No.	Description	Q'ty	No.	Parts No.	Description
1	EPA50001-56N	Cord Assembly 6pin	1	35	EPGP30371	Steel Balls For Hex. 5mm, Φ4mm, Φ5mm, Hex. 5mm & Φ5mm Type (Opt.)
	EPA50001-139N	Cord Assembly 3m "I/O Signal Control Box"	1		EPGP30351	Steel Balls For Hex. 6.35mm Type
2	EPZ50179-2	Connector Assembly	1		EPGD30381A	Shaft For Hex. 5mm Type (Opt.)
3	EPCJ20011-4	Suspension Ring	1		EPGD30381B	Shaft For Hex. 6.35mm Type (Opt.)
4	EPCC50016-2	Trigger Assembly	1	36	EPGD30381B-2	Shaft For Hex. 6.35-B9.5mm Type
	EPCC50016-3	Trigger Assembly (ESD)	1		EPGD30381C	Shaft For Φ4mm Type (Opt.)
5	EPC40738-17F-SNBC-6P	Housing-Underside-Blue/Black	1		EPGD30381D	Shaft For Φ5mm Type (Opt.)
	EPC40738-18NF-SNBC-6P	Housing-Underside (ESD)	1		EPGD30383AD	Shaft For Hex. 5mm & Φ5mm Type (Opt.)
6	EPCA50236	Housing-Upside-Blue/Black	1	37	EPGP20331	Steel Balls 2mm For Hex. 5mm, Φ5mm, Hex. 5mm & Φ5mm Type (Opt.)
	EPCA50236-1	Housing-Upside (ESD)	1		EPGP21291B	Steel Balls 2.5mm For Hex. 6.35mm, Φ4mm Type
7	EPCE50152-3	Push Rod	1	38	EPGF30401	Waring Plate For Hex. 5mm, Φ4mm, Φ5mm, Hex. 5mm & Φ5mm Type (Opt.)
8	EPCE80001	Fixture	1		EPGF30401B	Waring Plate For Hex. 6.35mm Type
9	EPCH30201-2	Screw	2	39	EPGO30541-3	Spring For EA-BN412L/C6, EA-BN412L/C6F
10	EPEG31421-17F	P.C.B.-Changeover	1		EPGO30544	Spring For EA-BN419L/C6, EA-BN419L/C6F
11	EPIC50212-1	F/R Switching Element For EA-BN412L/C6, EA-BN412L/C6F	1	40	EPGO30531	Spring Cap
	EPIC50212	F/R Switching Element For EA-BN419L/C6, EA-BN419L/C6F	1		EPGE50411-4	Waring Spring For EA-BN412L/C6, EA-BN412L/C6F Hex. 5mm, Φ4mm, Φ5mm, Hex. 5mm & Φ5mm Type (Opt.)
12	EPEG31420-11F	P.C.B.	1	41	EPGE50411-5	Waring Spring For EA-BN412L/C6, EA-BN412L/C6F Hex. 6.35mm Type
13	EPEG31445-2BN	P.C.B.	1		EPGE30416	Waring Spring For EA-BN419L/C6, EA-BN419L/C6F Hex. 5mm, Φ4mm, Φ5mm, Hex. 5mm & Φ5mm Type (Opt.)
14	EPCH90154-1	Screw For P.C.B.	2		EPGE30413-11	Waring Spring For EA-BN419L/C6, EA-BN419L/C6F Hex. 6.35mm Type
	EPCH20510-1	Screw For P.C.B. (ESD)	2	42	EPGY30421	Waring Spring Base For Hex. 5mm, Φ4mm, Φ5mm, Hex. 5mm & Φ5mm Type (Opt.)
15	EPCH20102	Screw For Housing	4		EPGY30421B	Waring Spring Base For Hex. 6.35mm Type
16	EPMI90302	Pilot Rod	1	43	EPGK20231B	"C"-Ring For Hex. 6.35mm Type
17	EPCH20102-24	Screw For Motor	4		EPGB30441-12A	Clutch Case For Hex. 5mm, Φ4mm, Φ5mm, Hex. 5mm & Φ5mm Type (Opt.)
18	EPM050113CE	Motor Assembly	1	44	EPGB30441-20	Clutch Case For EA-BN412L/C6F, EA-BN419L/C6F Hex. 5mm, Φ4mm, Φ5mm, Hex. 5mm & Φ5mm Type (Opt.)
19	EPMI1322-1	Gear	1		EPGB30441-1A	Clutch Case For EA-BN412L/C6, EA-BN419L/C6 Hex. 6.35mm Type
20	EPMG91081	Pilot Rod	1		EPGB30441-20B	Clutch Case For EA-BN412L/C6F, EA-BN419L/C6F Hex. 6.35mm Type
	EPGZ51901-1A	Clutch Assembly For EA-BN412L/C6, EA-BN412L/C6F Hex. 5mm Type (Opt.)	1	45	EPGO30452	Bit Spring For Hex. 5mm, Φ4mm, Φ5mm, Hex. 5mm & Φ5mm Type (Opt.)
	EPGZ51901-1B	Clutch Assembly For EA-BN412L/C6, EA-BN412L/C6F Hex. 6.35mm Type (Opt.)	1		EPGO20391B	Bit Spring For Hex. 6.35mm Type
	EPGZ51901-5B	Clutch Assembly For EA-BN412L/C6, EA-BN412L/C6F Hex. 6.35-B9.5mm Type	1	46	EPGJ30461	Bit Sleeve For Hex. 5mm, Φ4mm, Φ5mm, Hex. 5mm & Φ5mm Type (Opt.)
	EPGZ51901-1C	Clutch Assembly For EA-BN412L/C6, EA-BN412L/C6F Φ4mm Type (Opt.)	1		EPGJ3046B	Bit Sleeve For Hex. 6.35mm Type
	EPGZ51901-1D	Clutch Assembly For EA-BN412L/C6, EA-BN412L/C6F Φ5mm Type (Opt.)	1	47	EPGQ30471	"C" Ring For Hex. 5mm, Φ4mm, Φ5mm, Hex. 5mm & Φ5mm Type (Opt.)
21	EPGZ51901-1AD	Clutch Assembly For EA-BN412L/C6, EA-BN412L/C6F Hex. 5mm & Φ4mm Type (Opt.)	1		EPGQ21361	"C" Ring For Hex. 6.35mm Type
	EPGZ51901-2A	Clutch Assembly For EA-BN419L/C6, EA-BN419L/C6F Hex. 5mm Type (Opt.)	1	48	EPGL30481-1	Torque Adjust Pin
	EPGZ51901-2B	Clutch Assembly For EA-BN419L/C6, EA-BN419L/C6F Hex. 6.35mm Type (Opt.)	1	49	EPGM30491	Torque Adjust Ring
	EPGZ51901-6B	Clutch Assembly For EA-BN419L/C6, EA-BN419L/C6F Hex. 6.35-B9.5mm Type	1		EPGM30491-2	Torque Adjust Ring For EA-BN412L/C6F, EA-BN419L/C6F
	EPGZ51901-2C	Clutch Assembly For EA-BN419L/C6, EA-BN419L/C6F Φ4mm Type (Opt.)	1	50	EPGS30501	"C" Ring
	EPGZ51901-2D	Clutch Assembly For EA-BN419L/C6, EA-BN419L/C6F Φ5mm Type (Opt.)	1	51	EPGD28046	Coupler
	EPGZ51901-2AD	Clutch Assembly For EA-BN419L/C6, EA-BN419L/C6F Hex. 5mm & Φ4mm Type (Opt.)	1		EPGD28046-1	Coupler (ESD)
22	EPMI31221	Pilot Rod For Hex. 5mm, Φ4mm, Φ5mm, Hex. 5mm & Φ5mm Type (Opt.)	1	52	EPCH50671-3	Grounding Means
	EPMI33241	Pilot Rod For Hex. 6.35mm Type	1	53	EPCH20102-8	Washer
23	EPGK20231	"C" Ring	1	54	EPCH20514	Screw
24	EPGI20251-1	Iron Washer	1	55	EPP11020-1	Insulating Washer (UP) (ESD)
25	EPGH20241	Idle Gear	4	56	EPE32204-1	Heat Sink
26	EPGG20271	Gear Seat	1	57	EPW50109-2	Clamp
27	EPG20101	Central Gear	1		EPW50109-4	Clamp (ESD)
28	EPGH20241	Idle Gear	4	58	EPW50104-2	Washer
29	EPGG20271	Gear Seat	1	59	EPP11020-4	Insulating Washer (Down) (ESD)
30	EPGA91284	Gear Case	1	60	EPGN30435	Main Bearing
31	EPGN30321	Main Bearing	1	61	EPW10201-1	Insulating Washer
32	EPGC30341-3	Cam	1	62	EPCK28031-1	Trigger Spring
33	EPGF30351	Steel Balls	2	63	EPCH30201	Screw For P.C.B.-Start
34	EPGU30361	Stop Pilot For EA-BN412L/C6, EA-BN412L/C6F	1	64	EPE31700-1	Fixing Plate For EA-BN412L/C6F, EA-BN419L/C6F
	EPGU30370	Stop Pilot For EA-BN419L/C6, EA-BN419L/C6F	1	65	EPGN30431-1	Bearing For EA-BN412L/C6F, EA-BN419L/C6F

**R**  
**GE**

