

# Screw Feeder EAP-SF50

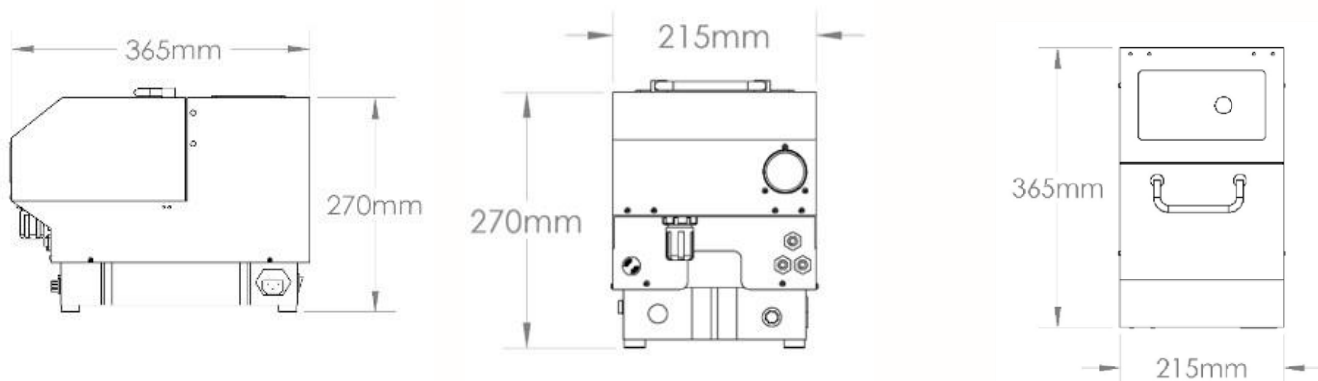


The EAP-SF50 Screw Feeder works with our inline electric screwdrivers. This system is designed to work with lever start type screwdrivers.

## DESCRIPTION

The EAP-SF50 is a cost-effective way to increase productivity for any assembly application. The EAP-SF50 works with our electric lever start assembly screwdrivers. Our Screw Feeder Systems are customized for your fasteners and specific assembly applications. We will require information on the type of screws that your application uses to properly set up your custom EAP-SF50.

## DIMENSIONAL DRAWINGS



## KEY FEATURES

- Works with Lever Screwdrivers
- Speed: 40 pcs/min
- Screw Sizes: 0 - 6 std (M1.5 – M4)

## FEATURES

- Delivers fastener directly to application
- Works with Leaver Start Screwdrivers
- Screw Jaw does not contact work surface
- System includes feeder hose assembly
- Fast and efficient
- May be suspended with a balance r or mounted in a torque reaction arm
- Excellent repeatable torque

## SPECIFICATIONS

- Power Source: 115 VAC
- Screw Driving Speed: 40 pcs/min
- Screw Range: M1.5 – M4
- Weight: 12kg
- Air Pressure: 5 kg/cm<sup>2</sup>-6kg/cm<sup>2</sup> (70-85 PSI)